

Honeywell 36-150[G] Auxiliary Power Unit



IMPROVED PERFORMANCE. INCREASED RELIABILITY.
LOWER TOTAL COST OF OWNERSHIP.

**APU Retrofit/Upgrade Program
for the Gulfstream GIV, GIV-SP,
G300 and G400**

Honeywell

36-150[G] Auxiliary Power Unit

Improving the reliability of Gulfstream GIV, GIV-SP, G300 and G400 aircraft

Featuring a high efficiency compressor and an innovative, ported shroud design, the updated 36-150[G] Auxiliary Power Unit (APU) provides significantly greater on-wing reliability and increased performance for main engine starting. This APU is also more ramp friendly, as exterior noise levels have been decreased. These design enhancements deliver the highest power-to-weight ratio currently available in the marketplace, while also helping to lower total cost of ownership.



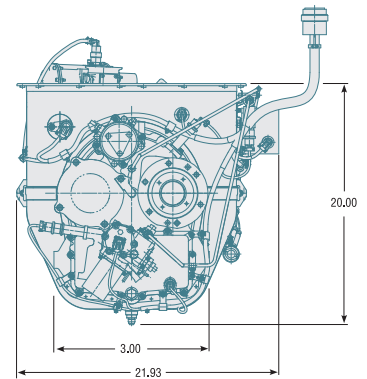
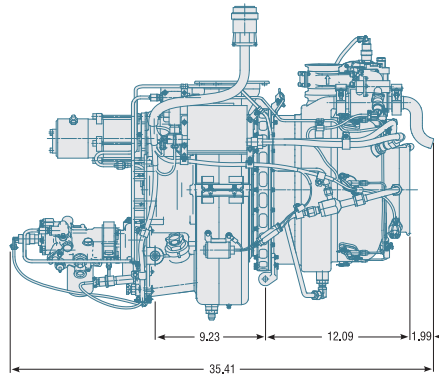
Larger compressor improves pneumatic performance

Find out more

For more information on the Gulfstream retrofit and upgrade program, contact our Customer Support Center at 1-800-601-3099 (US & Canada), 1-602-365-3099 (International), or 1-602-365-3343 (Fax).

Honeywell Aerospace

111 S. 34th Street,
Phoenix, Arizona 85034
Telephone: (602) 365-3099
Fax: (602) 365-3343
www.honeywell.com



Global Network of Support Services

Honeywell's comprehensive support network, spanning the Americas, Europe, Middle East, Africa, Asia and the South Pacific, delivers fully integrated service solutions and 24/7/365 support to meet the needs of the aerospace industry.

As a world leader of aviation aftermarket services, Honeywell provides the knowledge and resources to take care of all your service needs – whenever and wherever you require maintenance and repair services.

Advantages of the 36-150[G] APU

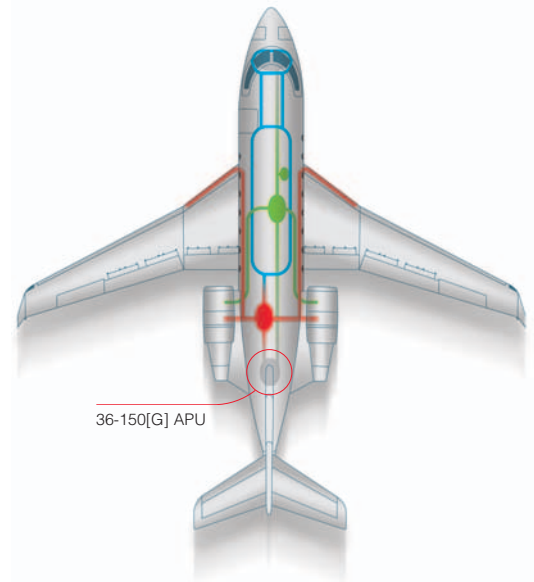
- Improved engine start capabilities
- Increased on-wing reliability
- Increased performance for improved cabin cooling/heating
- Greater operational flexibility
- Reduced inlet noise

Why Honeywell?

- 50 years of auxiliary power experience
- Industry leader in APU integration
- Proven performance – over 70,000 delivered APUs
- Advanced manufacturing, production and materials processes
- Global service and support network

Key Performance Data

Model:	36-150[G]
Weight:	150lbs
Digital Control	
Weight:	6lbs
Outline:	3800826-1
Basic Spec:	FAA TSO-C77a Category 1
Rated Pad HP:	50
Rated EGT:	1230F
Rotor Speed:	59,912 rpm



Honeywell