

**Learjet 55**

**Honeywell**



**IMPROVED OPERABILITY. INCREASED RELIABILITY.  
LOWER TOTAL COST OF OWNERSHIP.**

## **TFE731-3A to -3C Engine Upgrade Program**



Featuring updated engine technology, Honeywell's TFE731-3C engine upgrade increases reliability, durability and operability, while also helping to lower your total cost of ownership. As the first high-bypass fuel-efficient business aviation engine, the TFE731 engine has logged over 51 million operational hours and features a long history of proven reliability. Honeywell

developed this engine upgrade as part of our commitment to the long-term performance and value of your Learjet 55 aircraft.

# Propulsion upgrade that increases the v

The TFE731 engine upgrade features many value-added benefits, including:

## Cost of Ownership

- MSP enrollment available at no cost
- Reduced MSP hourly rate
- Enhanced aircraft value
- Fresh CZI signoff
- Zero-time turbine disks and blades (select stages)
- Reduced turbine life-cycle cost
- MPI interval extension to 2100 hours

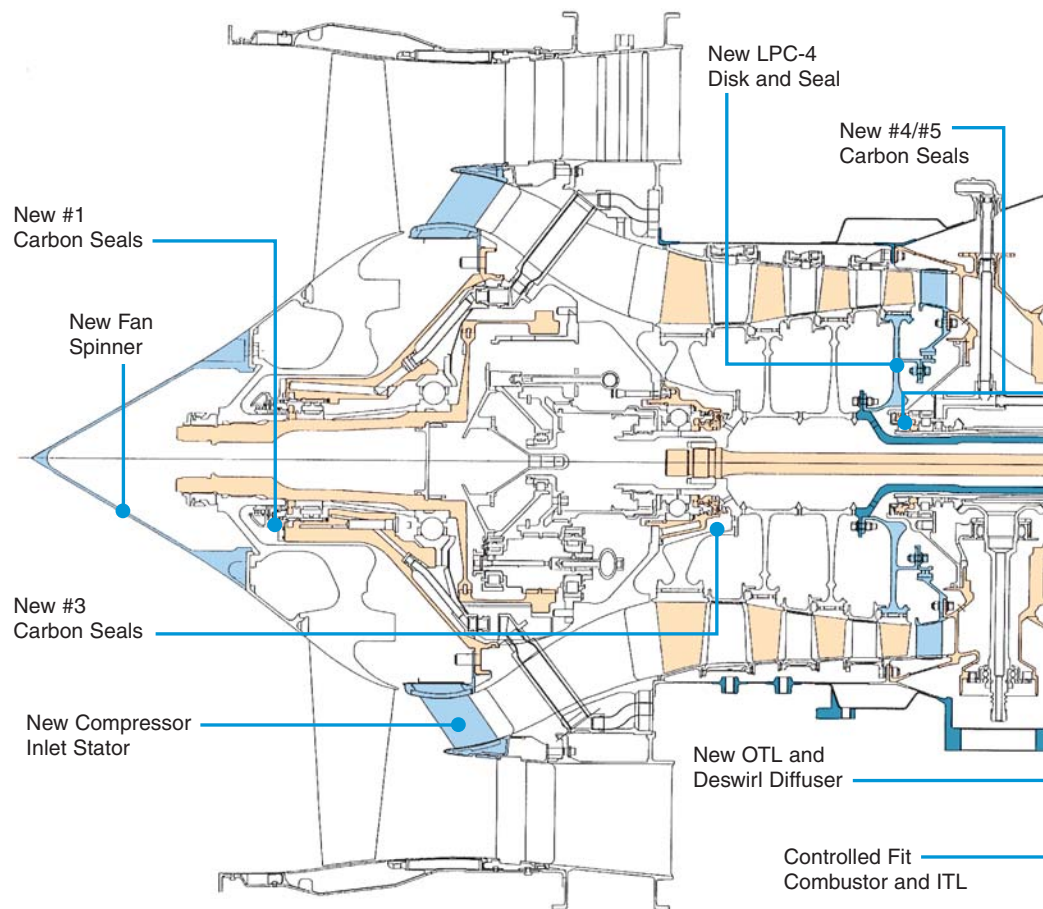
## Technical

- Same TSFC/thrust
- 25°C increased ITT climb limit
- 20°C increased ITT cruise limit
- Improved engine durability/reliability/performance retention for components replaced during -3C upgrade
- Increased turbine disks lives
- New #1, #3, #4/#5 carbon ring seals
- Single-engine upgrade permitted in the event all engines are not on the same maintenance schedule

## Additional Components Incorporated

- N1 DEEC
  - Included for MSP operators
  - Optional for non-MSP operators

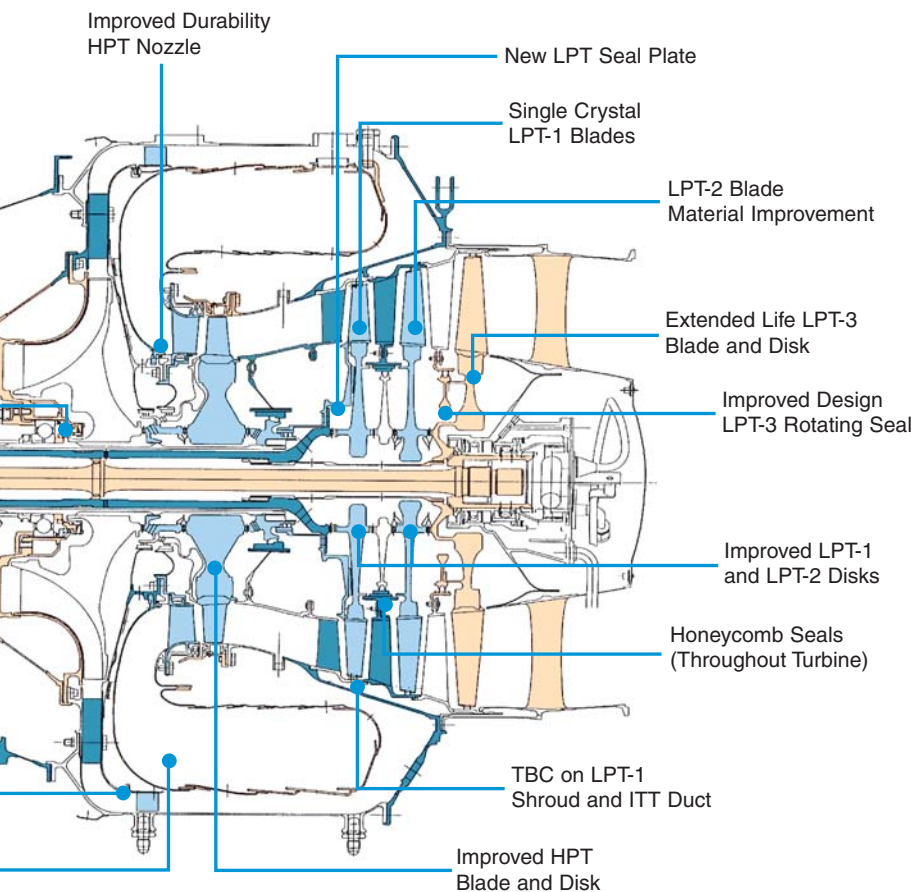
## Design Features Included in the -3C Engine Upgrade



## Engine Specification Comparison

	731-3A	731-3C
Takeoff Temperature Limit (°C)	907	910
Climb Temperature Limit (°C)	885	910
Cruise Temperature Limit (°C)	865	885
HPT Disk Life (Cycles)	7,000	10,000
LPT1 & 2 Disk Life (Cycles)	3,000	10,000
LPT3 Disk Life (Cycles)	3,000	7,000
Engine Weight (Lb)		+ 2
MPI Interval (Hours)	1,400	2,100

# Value of your aircraft



## Advantages of the TFE731-3A to -3C Engine Upgrade

- Increased durability/reliability/performance retention for components replaced during -3C upgrade
- Increased climb/cruise ITT limits
- Reduced cost of ownership
- Available for MSP and non-MSP operators
- Can be performed at CZI or MPI (requires CZI signoff)
- Upgraded to MSP standard list of service bulletins
- Enhances aircraft value
- Additional optional service bulletins can be incorporated\*\*

\*\* Optional hardware service bulletins incorporations:

- ITT harness
- FCU
- Fuel pump

## Why Honeywell?

- 50 Years of Propulsion System Experience
- Industry Leader in Engine Integration
- Proven Performance - Over 11,400 TFE731 Engines Delivered
- Advanced Manufacturing, Production and Materials Processes
- Global Service and Support Network
- Commitment to Continuing Product Support and Enhancement

- Provided in -3C Kit
- Provided in MSP Standard Service Bulletins
- Reworked Hardware

## **Honeywell Aerospace**

Honeywell is a leading global provider of integrated avionics, engines, systems and service solutions for aircraft manufacturers, airlines, business and general aviation, military, space and airport operations.

For more information on Honeywell Aerospace, visit us online at [www.honeywell.com/aero](http://www.honeywell.com/aero)

## **Global Support Network**

### **Designated TFE Engine Modification Facilities**

The TFE731-3C Engine Upgrade can be performed at any of the following Honeywell Authorized Heavy Maintenance Facilities.

### **Honeywell**

1944 East Sky Harbor Circle  
Phoenix, AZ 85034  
602-365-2703  
FAX 602-365-2342

### **Garrett Aviation Services**

Bush Field Airport  
1550 Hangar Road  
Augusta, GA 30906-9684  
706-793-5600  
FAX 706-793-0469  
Toll Free 1-800-891-8889

### **Garrett Aviation Services**

Capitol Airport  
2 North Airport Drive  
Springfield, IL 62707  
217-544-3431  
FAX 217-544-8911  
Toll Free 1-800-731-7371

### **Garrett Aviation Services**

Houston Intercontinental Airport  
17250 Chanutte Road  
P.O. Box 60218  
Houston, TX 77205-0218  
713-230-7800  
FAX 713-443-1064  
Toll Free 1-800-877-5411

### **Garrett Aviation Services**

Long Island MacArthur Airport  
2221 Smithtown Avenue  
Ronkonkoma, NY 11779-7387  
516-468-3000  
FAX 516-585-2104  
Toll Free 1-800-468-4480

### **Garrett Aviation Services**

Los Angeles International Airport  
6201 West Imperial Highway  
Los Angeles, CA 90045  
310-568-3700  
FAX 310-568-3790  
Toll Free 1-800-942-7738

### **Premier Turbines**

3551 Doniphan Drive  
Neosho, MO 64850-9199  
417-451-1810  
FAX 417-451-9425

## **International**

### **Honeywell Aerospace GmbH**

Frankfurter Strasse 41-65  
Postfach 1150  
D-65475 Raunheim  
Germany  
49-6142-405436  
FAX 49-6142-405499

### **Pacific Turbine Pty. Ltd.**

Perth Airport (Domestic)  
P.O. Box 142  
Belmont, Western Australia 6984  
Australia  
61-9-277-2166  
FAX 61-9-478-1570

### **S.E.C.A.**

Aeroport du Bourget  
Zone Nord, BP 132  
93352 Le Bourget Cedex  
France  
33-1-493-45423  
FAX 33-1-493-45497

### **Volvo Aero Corporation**

Department 6871  
S-46 181 Trollhattan  
Sweden  
46-520-94316  
FAX 46-520-98588

## **Business & General Aviation**

Honeywell  
P.O. Box 29003  
Phoenix, Arizona 85038-9003  
Domestic: 800.421.2133  
International: 602.365.2180  
[www.honeywell.com](http://www.honeywell.com)

# **Honeywell**